

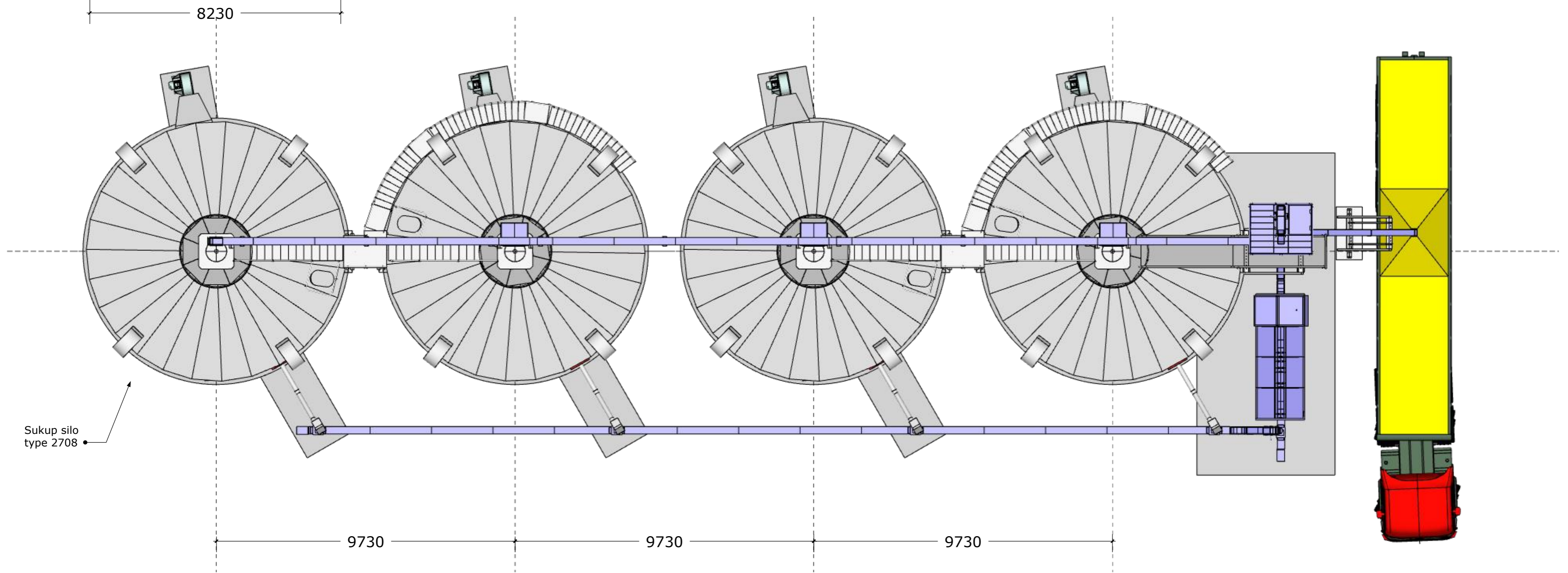


Customer: RS-Technick		Project nr.: 15394	
Construction address: Address, UK-Code. Country.			
Drawing type:		Layout-15394-01	
Sukup Europe A/S	Made by:	AAA	
Mimersvej 5	REV. Date:	14.05.25	
DK-8722 Hedensted.	Format:	A2	
T: +	Meas:	1:	
M: @sukup-eu.com			
Web: www.sukup-eu.com			
OBS: This drawing is our property, it may not be left, copied or exploited by third parties.			

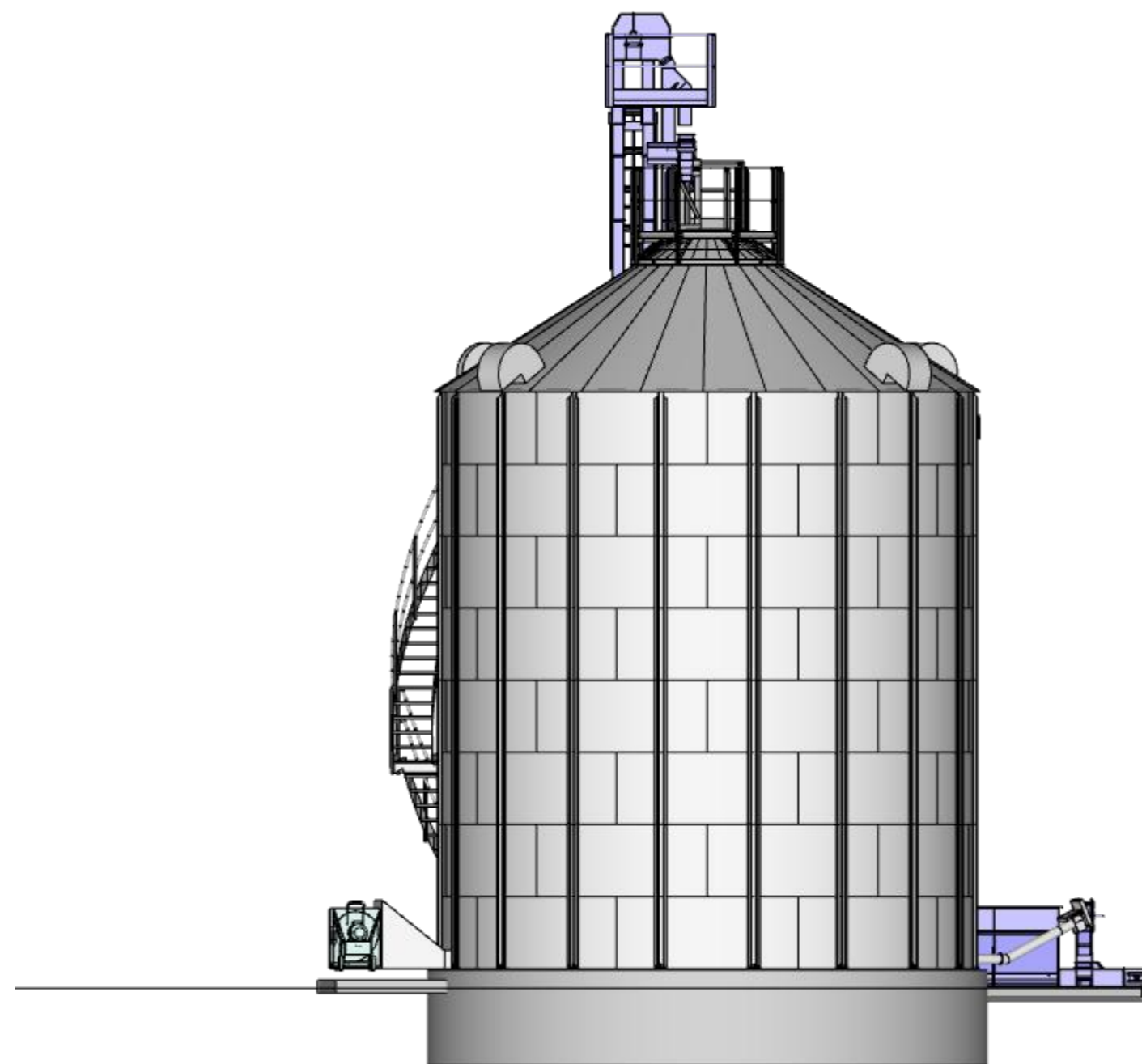
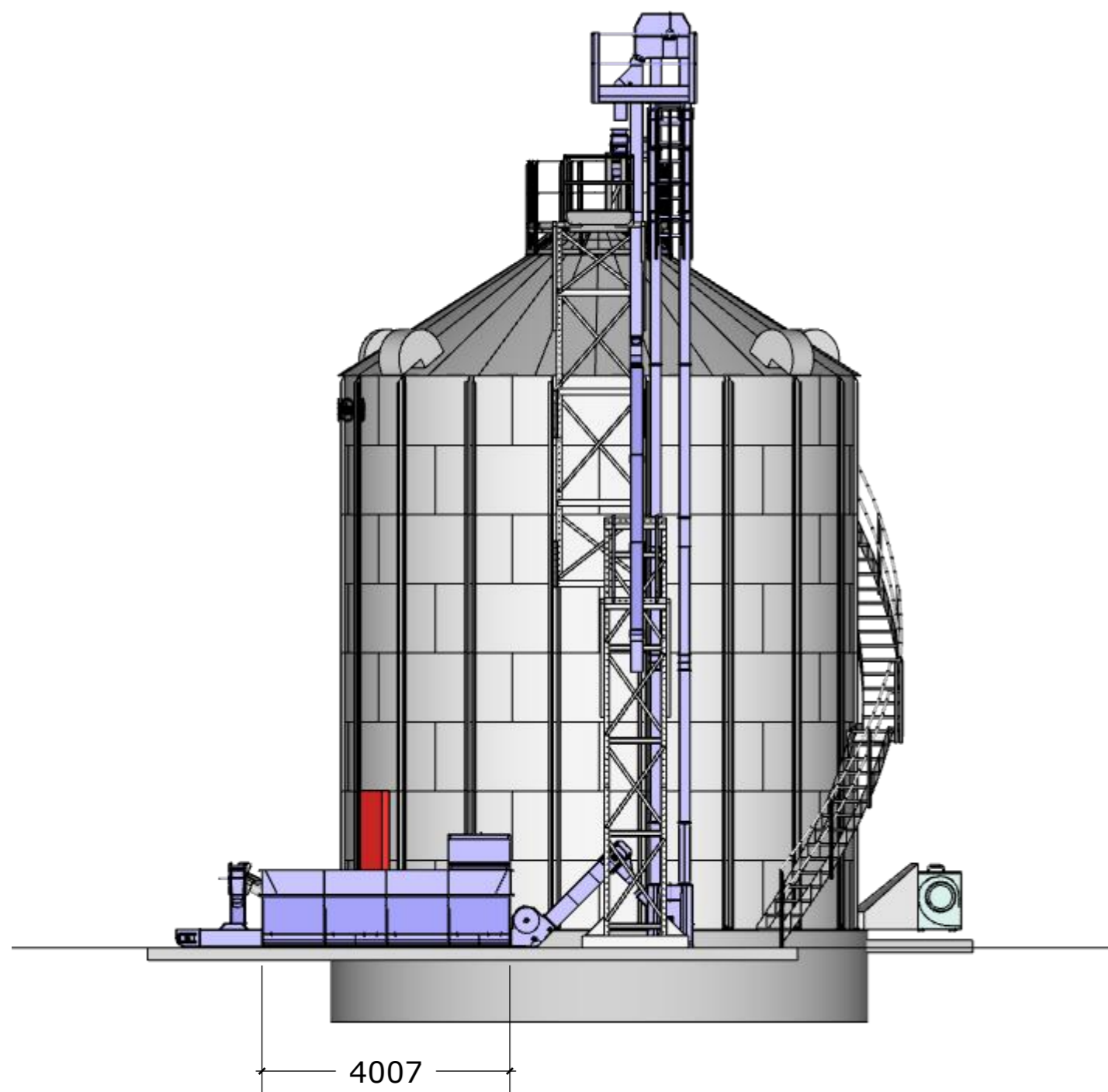





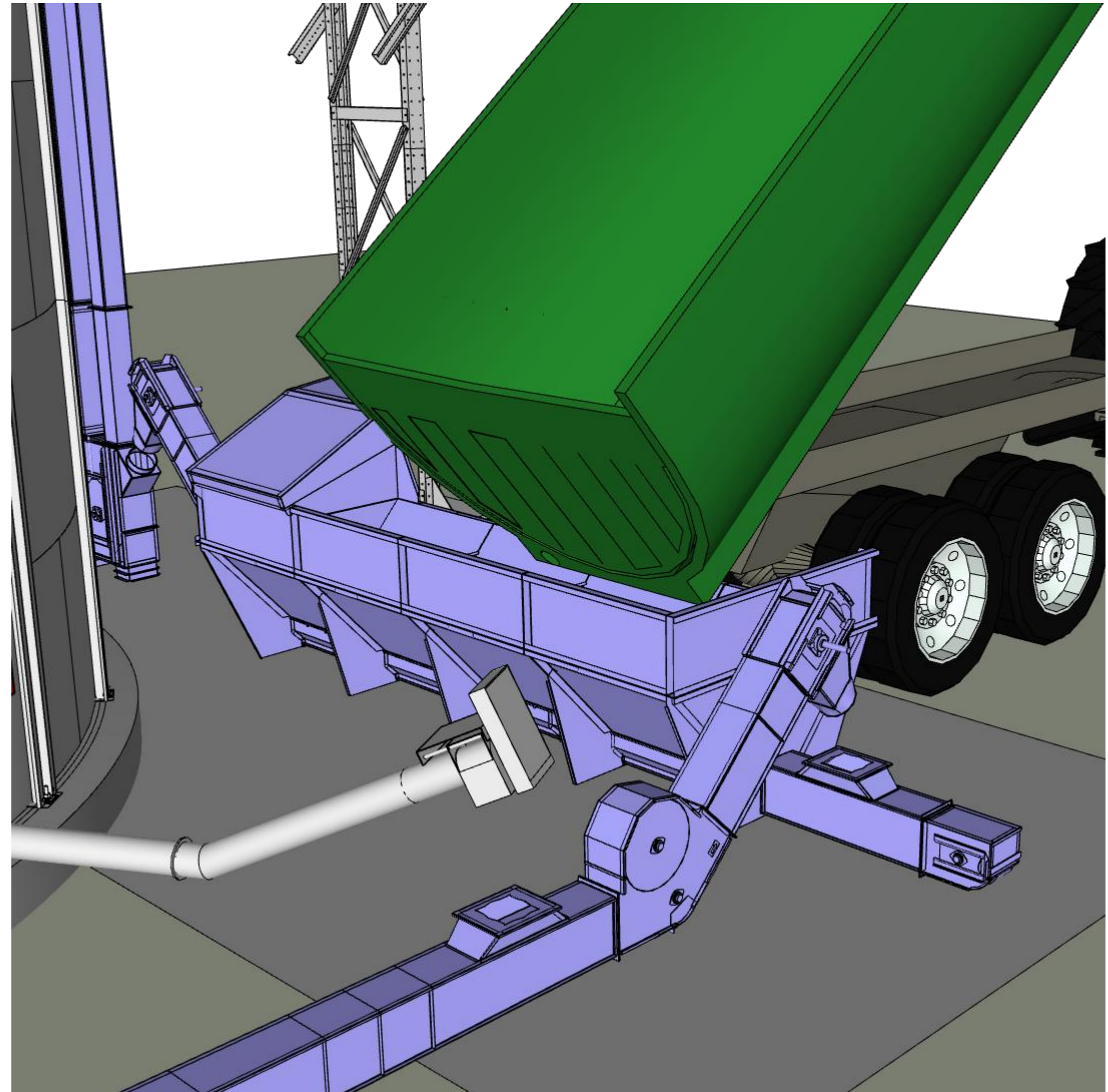
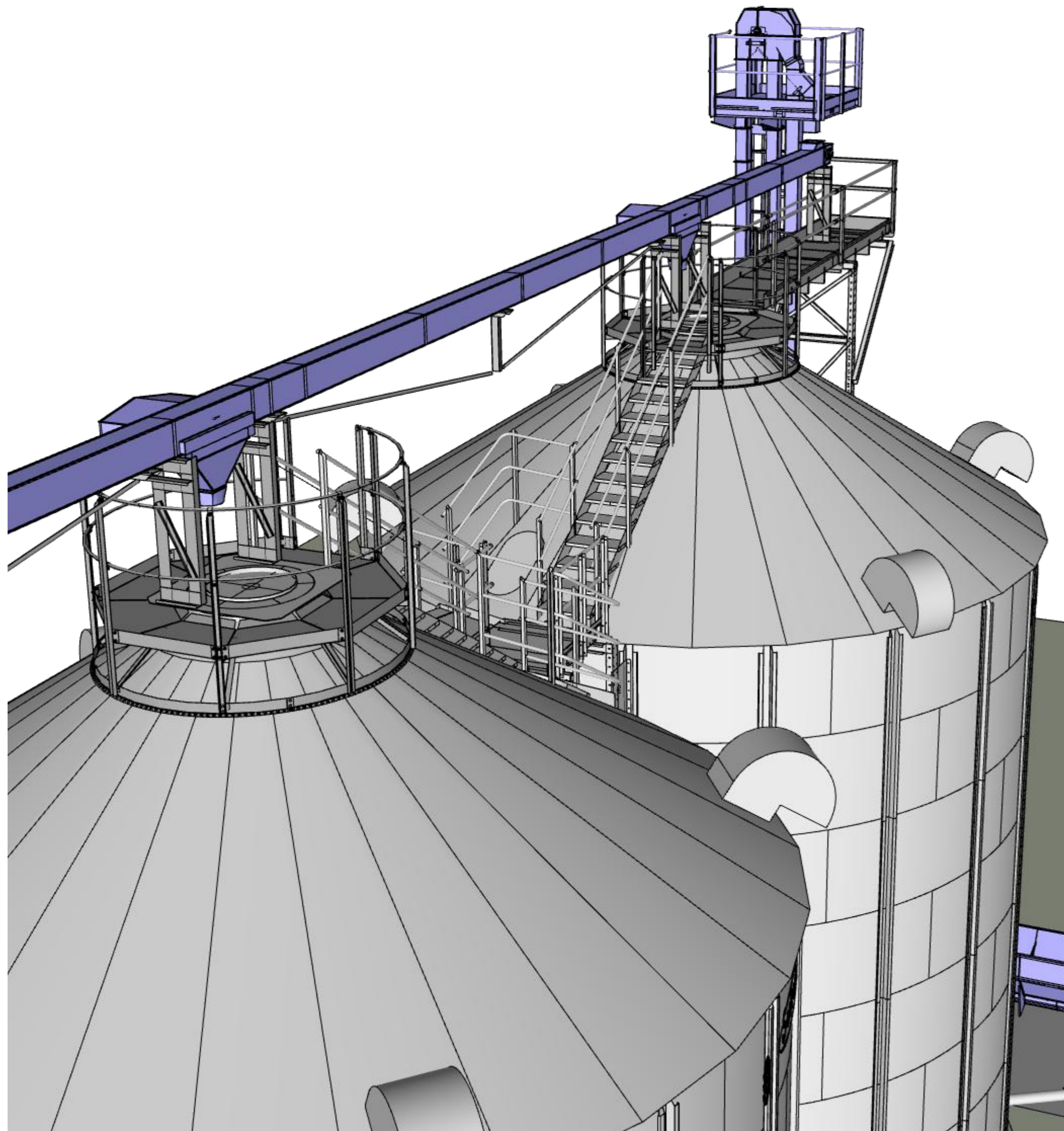
Customer: RS-Technick		Project nr.: 15394	
Construction address: Address, UK-Code. Country.			
Drawing type:		Layout-15394-01	
Sukup Europe A/S	Mimersvej 5	DK-8722 Hedensted.	Made by: AAA
T: +			REV. Date: 14.05.25
M: @sukup-eu.com			Format: A2
Web: www.sukup-eu.com			Meas: 1:
			Page
OBS: This drawing is our property, it may not be left, copied or exploited by third parties.			2



Customer: RS-Technick		Project nr.: 15394	
Construction address: Address, UK-Code. Country.			
Drawing type:		Layout-15394-01	
Sukup Europe A/S	Mimersvej 5	Made by:	AAA
DK-8722 Hedensted.	T: +	REV. Date:	14.05.25
M: @sukup-eu.com	Web: www.sukup-eu.com	Format:	A2
		Meas:	1:
OBS: This drawing is our property, it may not be left, copied or exploited by third parties.			Page
			3



Customer: RS-Technick		Project nr.: 15394		
Construction address: Address, UK-Code. Country.				
Drawing type: Layout-15394-01		Made by: AAA	REV. Date: 14.05.25	
Sukup Europe A/S Mimersvej 5 DK-8722 Hedensted. T: + M: @sukup-eu.com Web: www.sukup-eu.com			Format: A2	Page
			Meas: 1:	4
OBS: This drawing is our property, it may not be left, copied or exploited by third parties.				



Customer: RS-Technick		Project nr.: 15394	
Construction address: Address, UK-Code. Country.			
Drawing type:		Layout-15394-01	
Sukup Europe A/S	Mimersvej 5	DK-8722 Hedensted.	T: +
M: @sukup-eu.com	Web: www.sukup-eu.com	Made by: AAA	REV. Date: 14.05.25
		Format: A2	Page
		Meas: 1:	5
OBS: This drawing is our property, it may not be left, copied or exploited by third parties.			