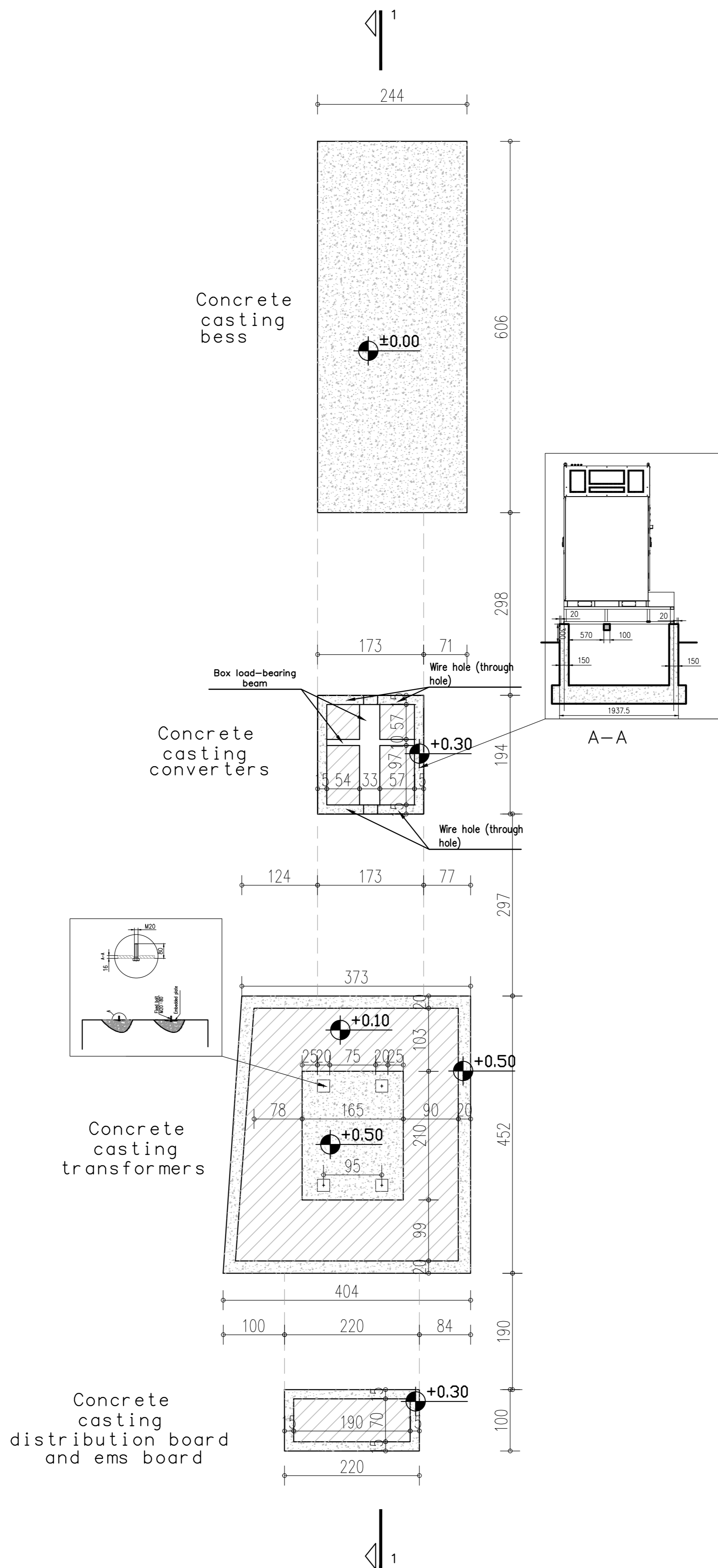


Cut 1-1



Facility location update	11.12.25
Update the transformer concrete casting	04.12.25

Revisions:	Date:
------------	-------

The contractor is responsible for reviewing the plans and ensuring their compliance before execution, they must check all dimensions and report the designer any errors
Dimensions must not be determined by measuring the drawing

Be in charge
AGEERA

Date	Name	
		Design
20.05.2025	Sharon Dekel	Draw
		Approv

Revision		For review <input type="radio"/>
1		For Bidding <input type="radio"/>
	11.12.2025	For execution <input checked="" type="radio"/>

11.12.2025

Project Name:
EOS Ageera Goor

Plan Name:
**Layout Plan
Concrete casting**

Scale: **1: 50**

No.:	02
------	----