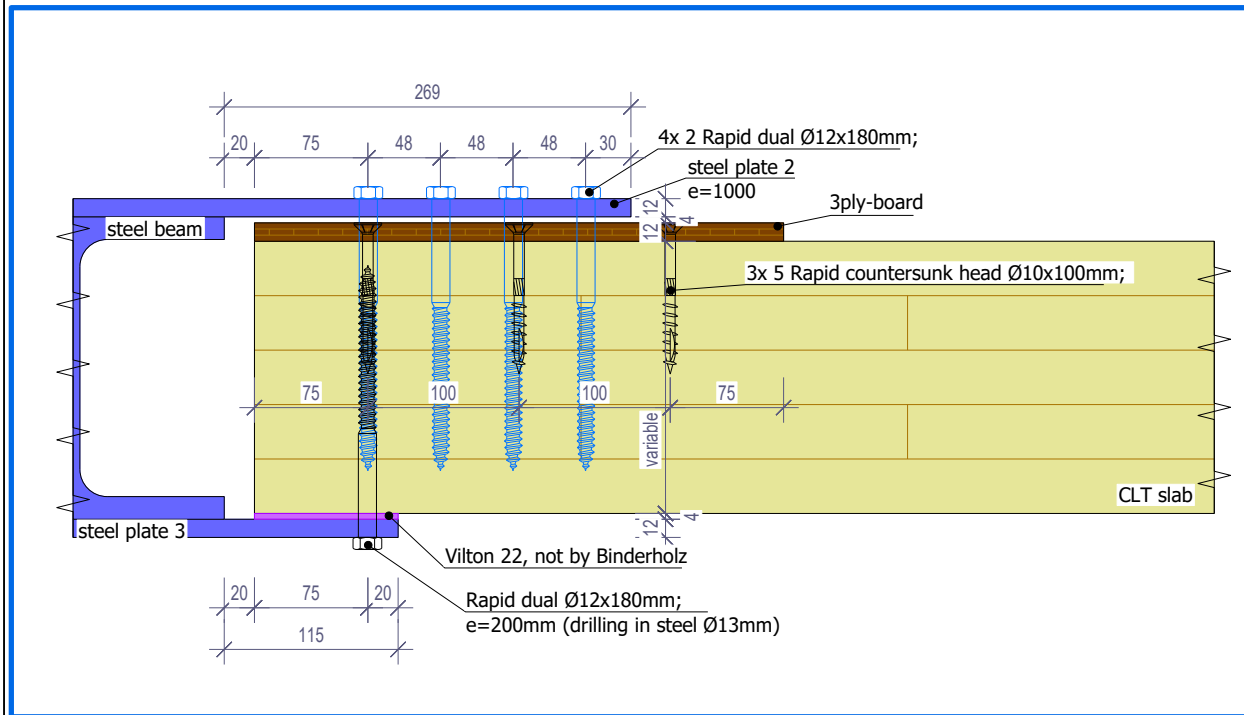


FFI103 - CLT slab - CLT slab with 3-ply board and steel plate



General information

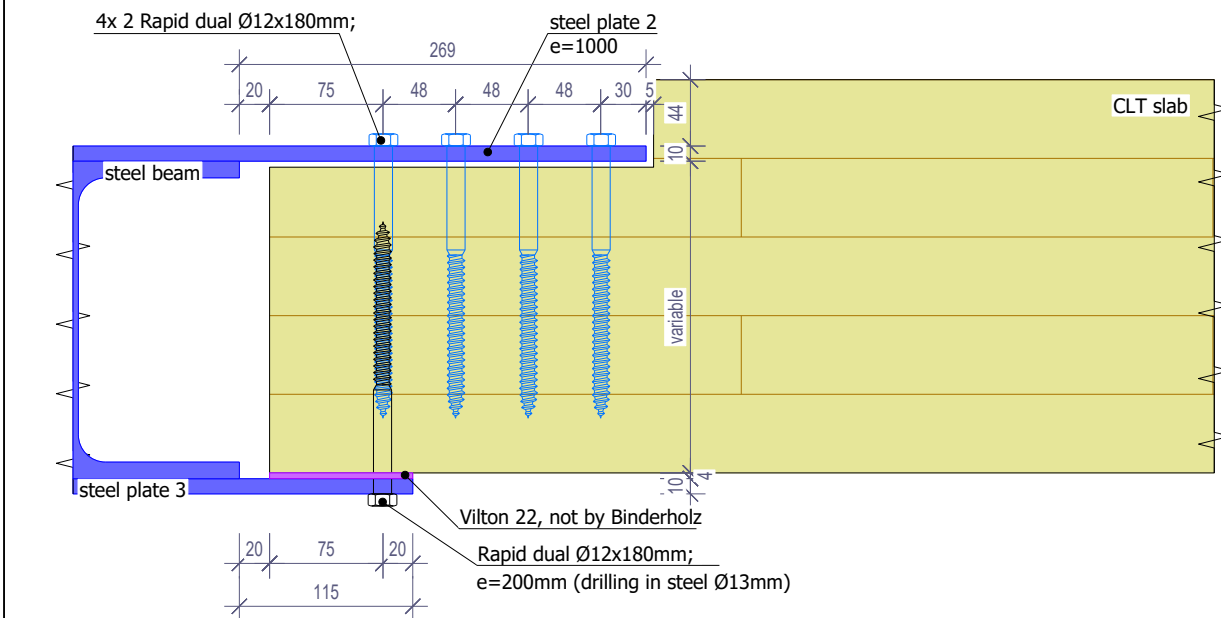
- the colored frames on the plans can be compared with the colored steel beams in 3D model
- connection between steel plate and steel beam not by binderholz
- steel plate length is variable and depends on the steel beam width
- steel plate 1 and 2 only after CLT assembly
- the dimensions of the 3-ply and 5-ply panels are just for an example this could be final variable

notes

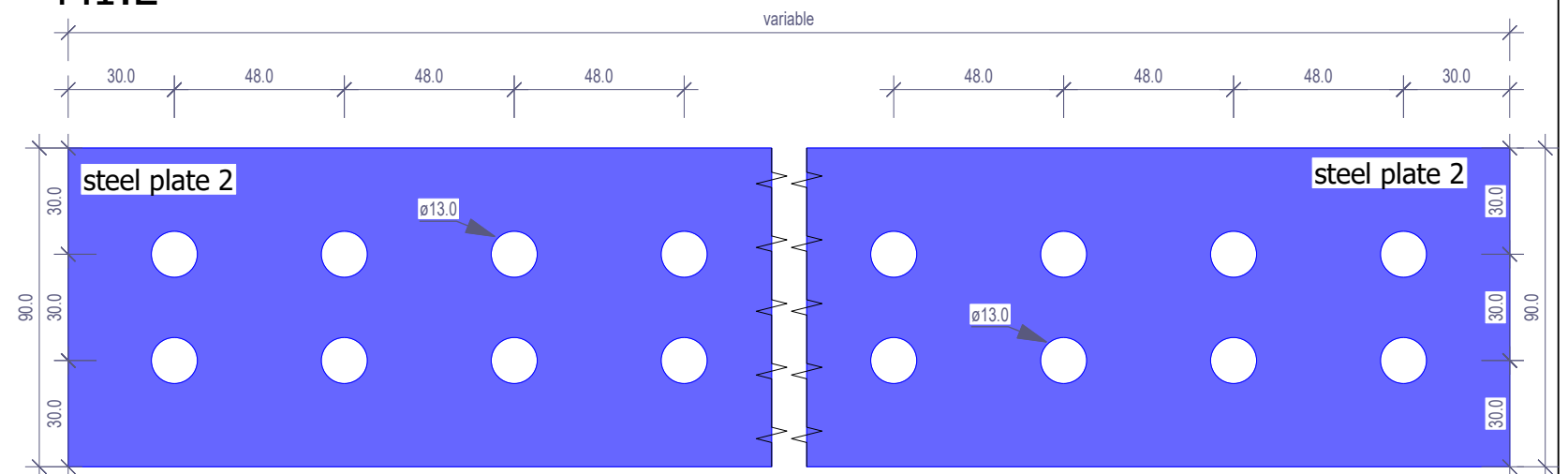
- All connections and assembly details of the structural components must adhere to the Details, Floor Plans and AXO drawings provided. On site checks will be carried out by a qualified Binderholz representative.
- The Contract Partner is aware that the execution of the works must be in accordance with Binderholz Bausysteme GmbH guidelines and specifications.
- The correct, weather protected storage of the elements before and during installation is the full responsibility of the contract partner/subcontractor. Binderholz Bausysteme GmbH will not be liable and/or responsible for any faults or damage arising from unprotected storage of the materials on the construction site.
- The overall air-tightness of the structural frame is the responsibility of the company executing the installation. Special attention should be made to the external joints between the elements (taping).
- Sole plates, columns and other timber components that are connected directly to concrete require a separation layer between the two materials.
- Binderholz Bausysteme GmbH will not be held responsible or liable for an improper execution of the works that are not in accordance with our details and specifications.

- cross laminated timber BBS
- glulam
- 3-ply board / 5-ply board
- steel
- fasteners

FFI104 - CLT slab - CLT slab with millig and steel plate



M1:2



details

Client: Houta
Project: 264417 Kantoor

drawn by:
dansul

date
06.06.2023

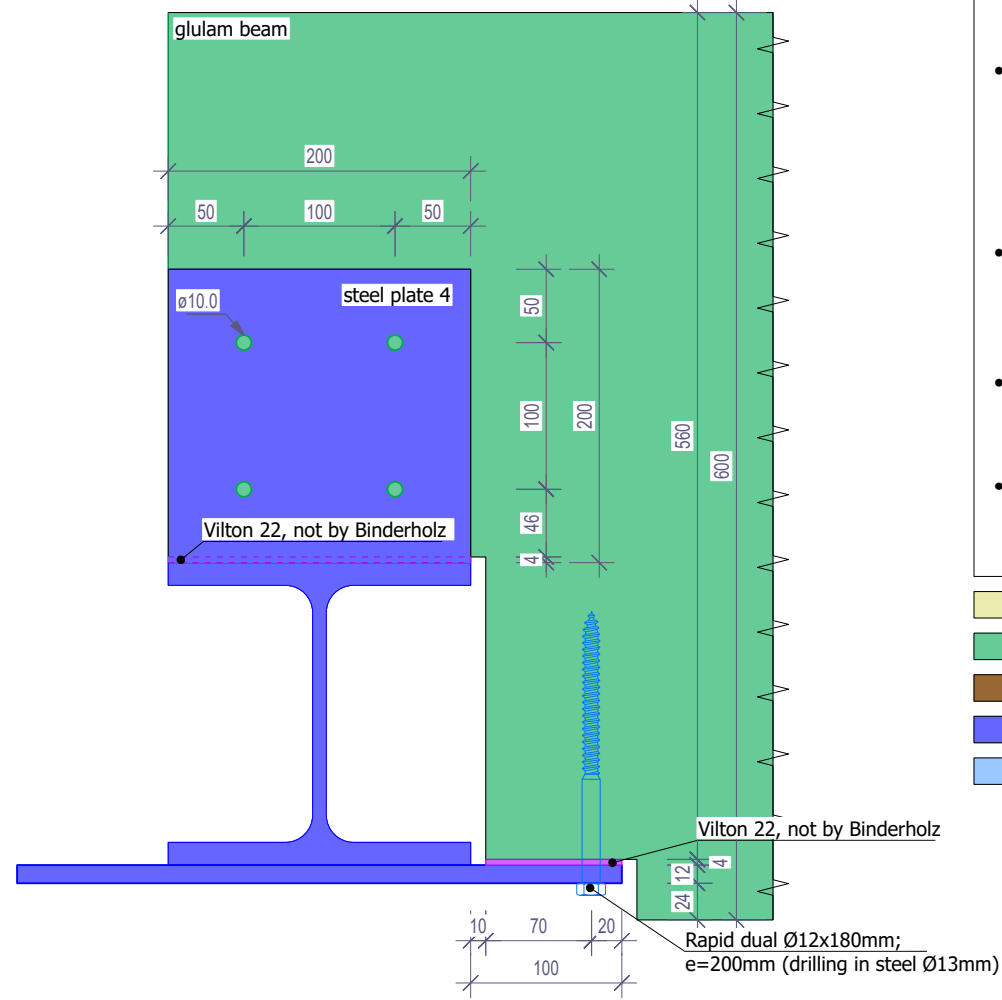
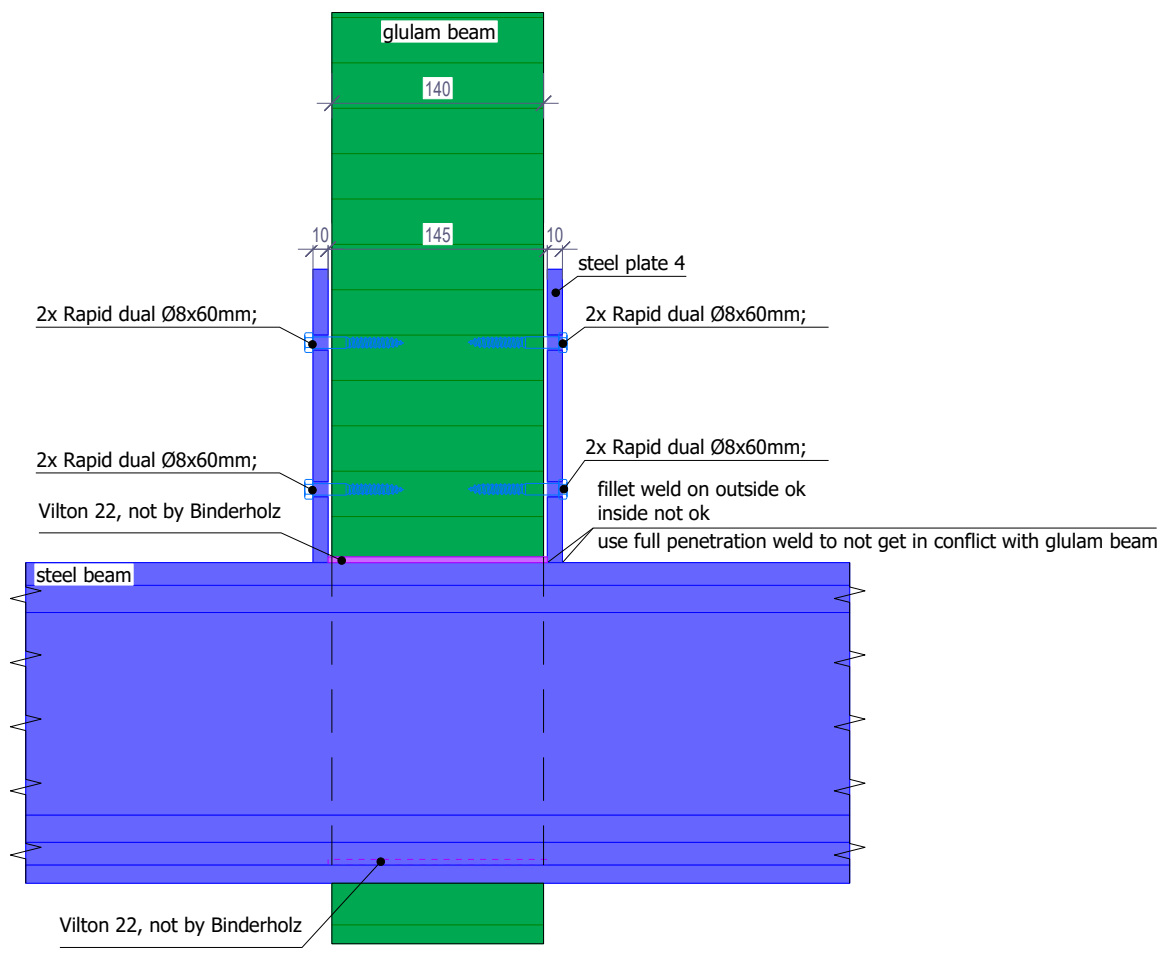
scale
1:5/1:2 @A3

sheet nr
2

binderholz

Binderholz-Bausysteme GmbH fon +43.6245.70500
Solvay-Halvic-Straße 46 fax +43.6245.70500-7001
A-5400 Hallein www.binderholz.com
bbs@binderholz.com

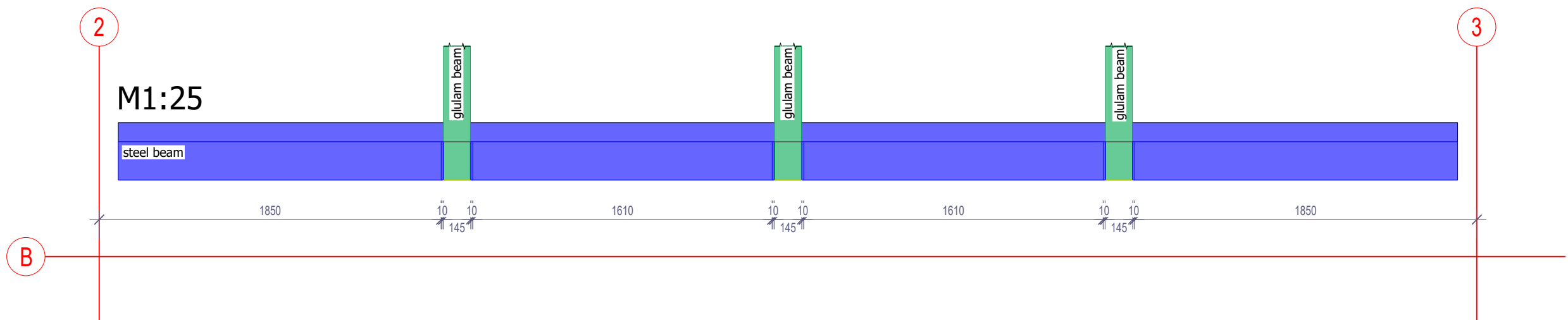
BB105 - glulam beam - steel beam with steel plate connection (roof)



notes

- All connections and assembly details of the structural components must adhere to the Details, Floor Plans and AXO drawings provided. On site checks will be carried out by a qualified Binderholz representative.
- The Contract Partner is aware that the execution of the works must be in accordance with Binderholz Bausysteme GmbH guidelines and specifications.
- The correct, weather protected storage of the elements before and during installation is the full responsibility of the contract partner/subcontractor. Binderholz Bausysteme GmbH will not be liable and/or responsible for any faults or damage arising from unprotected storage of the materials on the construction site.
- The overall air-tightness of the structural frame is the responsibility of the company executing the installation. Special attention should be made to the external joints between the elements (taping).
- Sole plates, columns and other timber components that are connected directly to concrete require a separation layer between the two materials.
- Binderholz Bausysteme GmbH will not be held responsible or liable for an improper execution of the works that are not in accordance with our details and specifications.

- cross laminated timber BBS
- glulam
- 3-ply board / 5-ply board
- steel
- fasteners



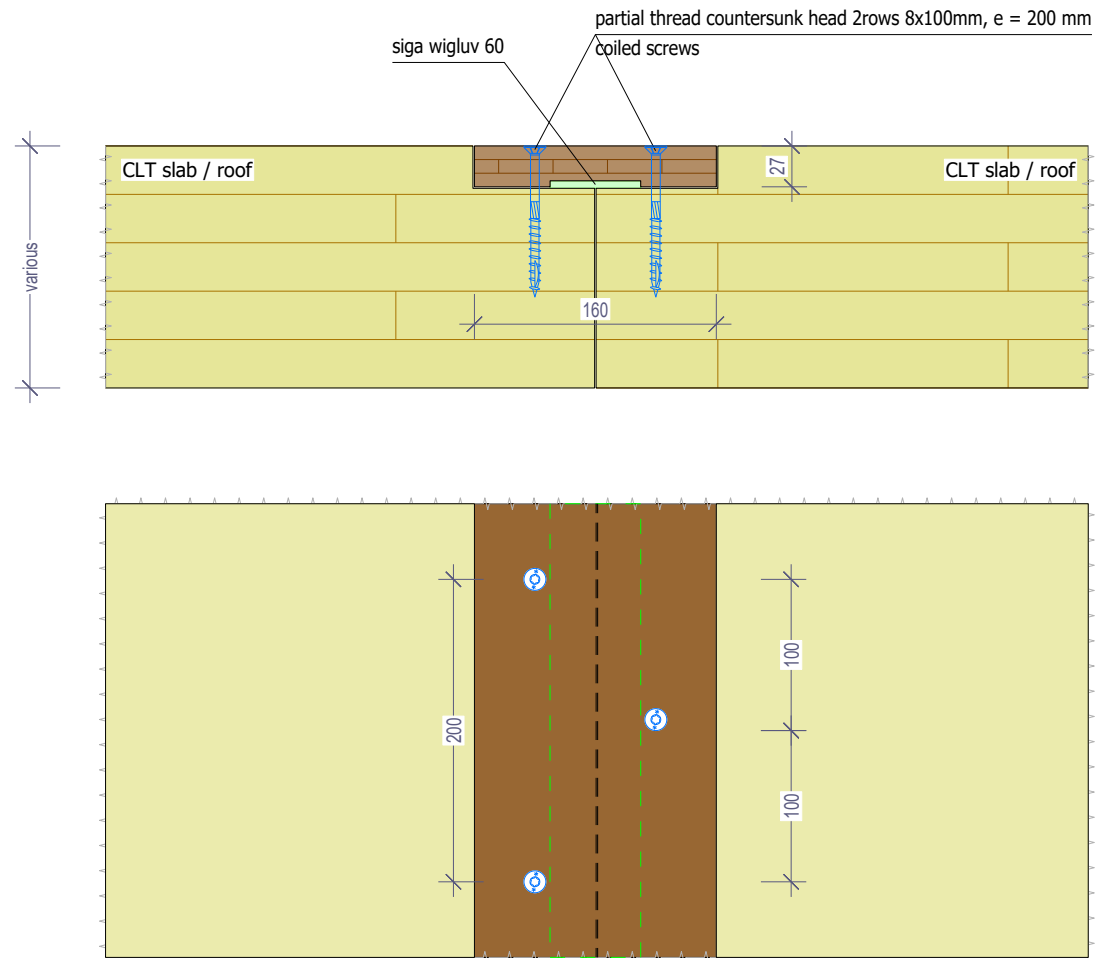
details

Client: Houta	
Project: 264417 Kantoor	
drawn by: dansul	date 06.06.2023
scale 1:5/1:25 @A3	sheet nr 3

binderholz

Binderholz-Bausysteme GmbH fon +43.6245.70500
 Solvay-Halvic-Straße 46 fax +43.6245.70500-7001
 A-5400 Hallein www.binderholz.com
 bbs@binderholz.com

FFI106 - CLT slab - CLT slab with connection board



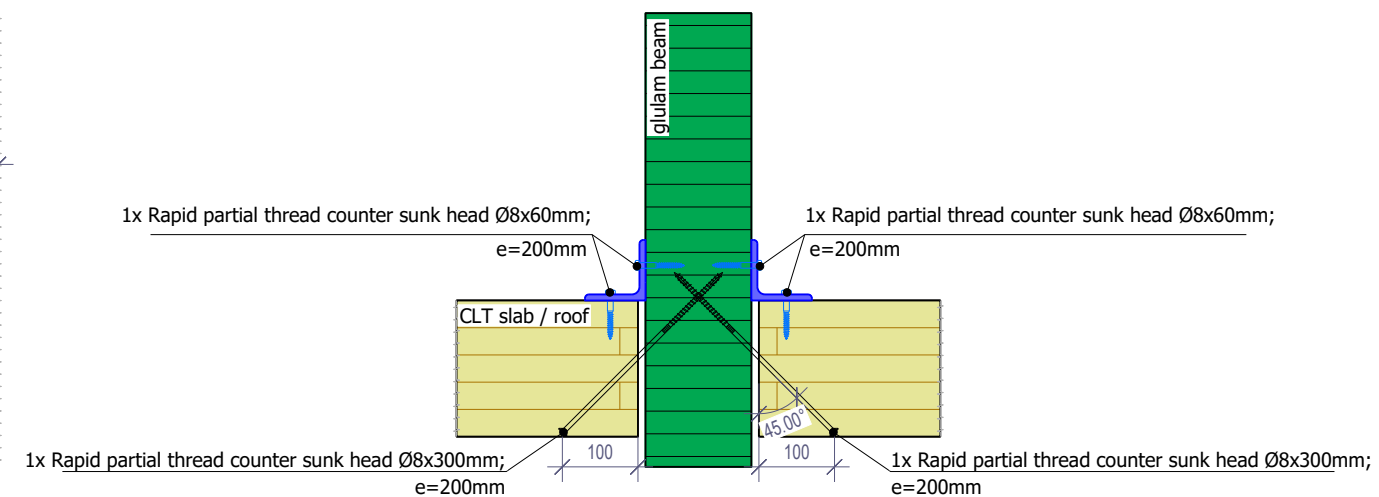
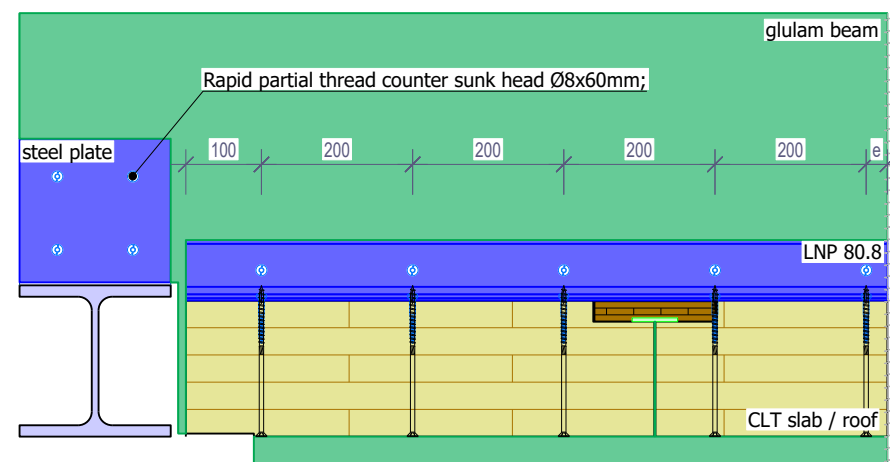
notes

• All connections and assembly details of the structural components must adhere to the Details, Floor Plans and AXO drawings provided. On site checks will be carried out by a qualified Binderholz representative.

- The Contract Partner is aware that the execution of the works must be in accordance with Binderholz Bausysteme GmbH guidelines and specifications.
- The correct, weather protected storage of the elements before and during installation is the full responsibility of the contract partner/subcontractor. Binderholz Bausysteme GmbH will not be liable and/or responsible for any faults or damage arising from unprotected storage of the materials on the construction site.
- The overall air-tightness of the structural frame is the responsibility of the company executing the installation. Special attention should be made to the external joints between the elements (taping).
- Sole plates, columns and other timber components that are connected directly to concrete require a separation layer between the two materials.
- Binderholz Bausysteme GmbH will not be held responsible or liable for an improper execution of the works that are not in accordance with our details and specifications.

- cross laminated timber BBS
- glulam
- 3-ply board / 5-ply board
- steel
- fasteners

BB106 - glulam beam - CLT slab with steel angle connection (roof)



details

Client: Houta
Project: 264417 Kantoor

drawn by:
dansul

date
06.06.2023

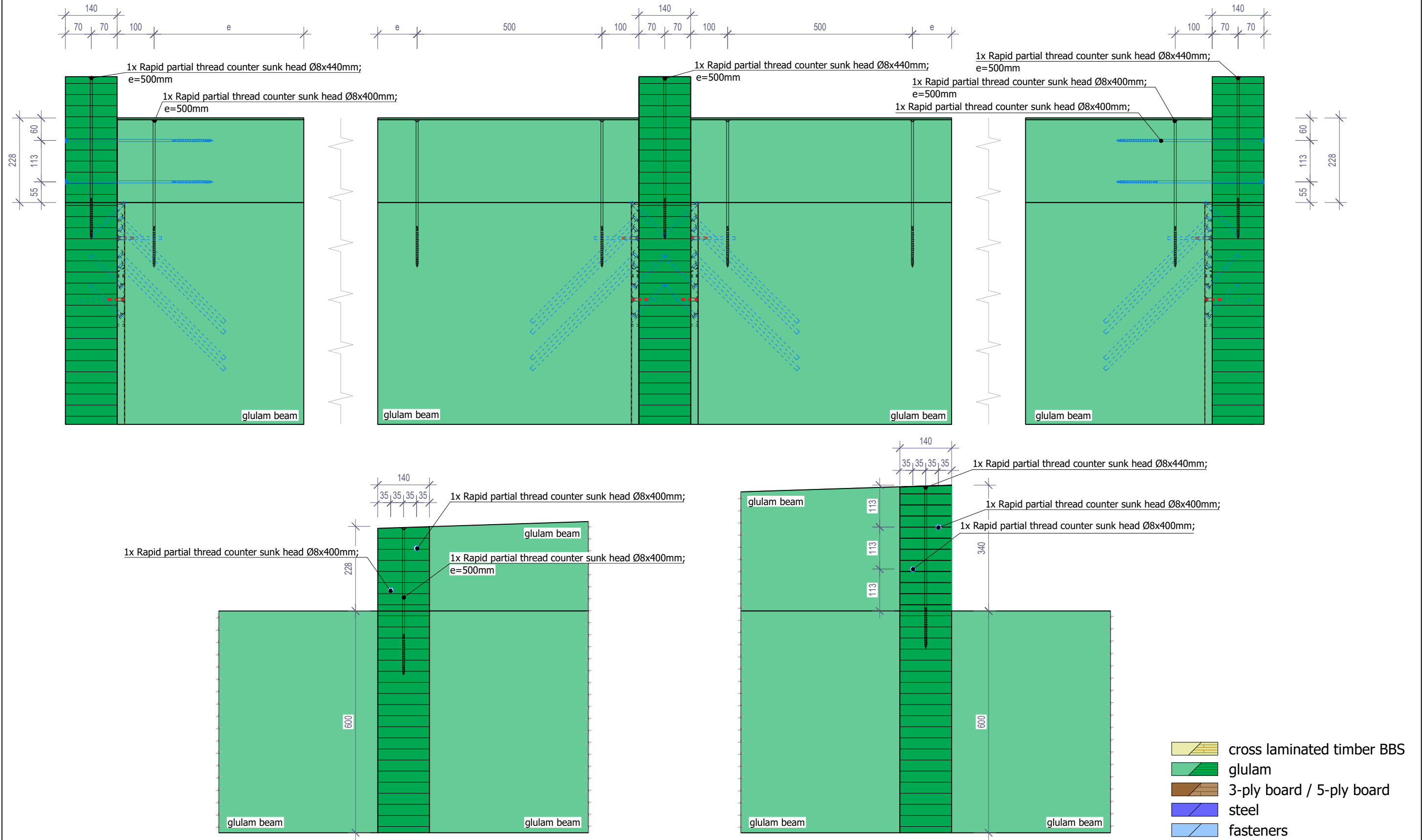
scale
1:5/1:10 @A3

sheet nr
4

binderholz

Binderholz-Bausysteme GmbH fon +43.6245.70500
Solvay-Halvic-Straße 46 fax +43.6245.70500-7001
A-5400 Hallein www.binderholz.com
bbs@binderholz.com

BB107 - glulam beam - glulam beam connection (roof)
BB108 - glulam beam - glulam beam corner connection (roof)



details

Client: Houta
 Project: 264417 Kantoor

drawn by:
 dansul

scale
 1:10 @A3

date
 06.06.2023

sheet nr
 5

binderholz

Binderholz-Bausysteme GmbH fon +43.6245.70500
 Solvay-Halvic-Straße 46 fax +43.6245.70500-7001
 A-5400 Hallein www.binderholz.com
 bbs@binderholz.com